

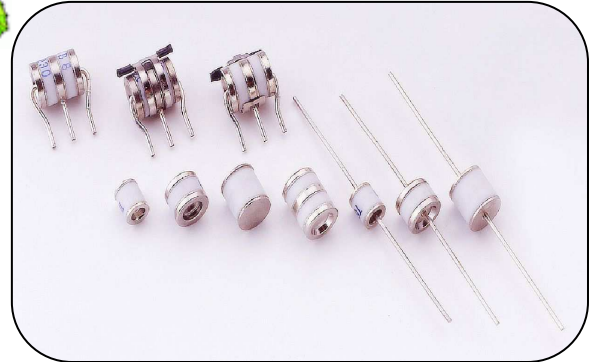
Gas Discharge Tube: GD5 Series



2-Electrode $\Phi 5.5 \times T6$ mm Type

■ Features

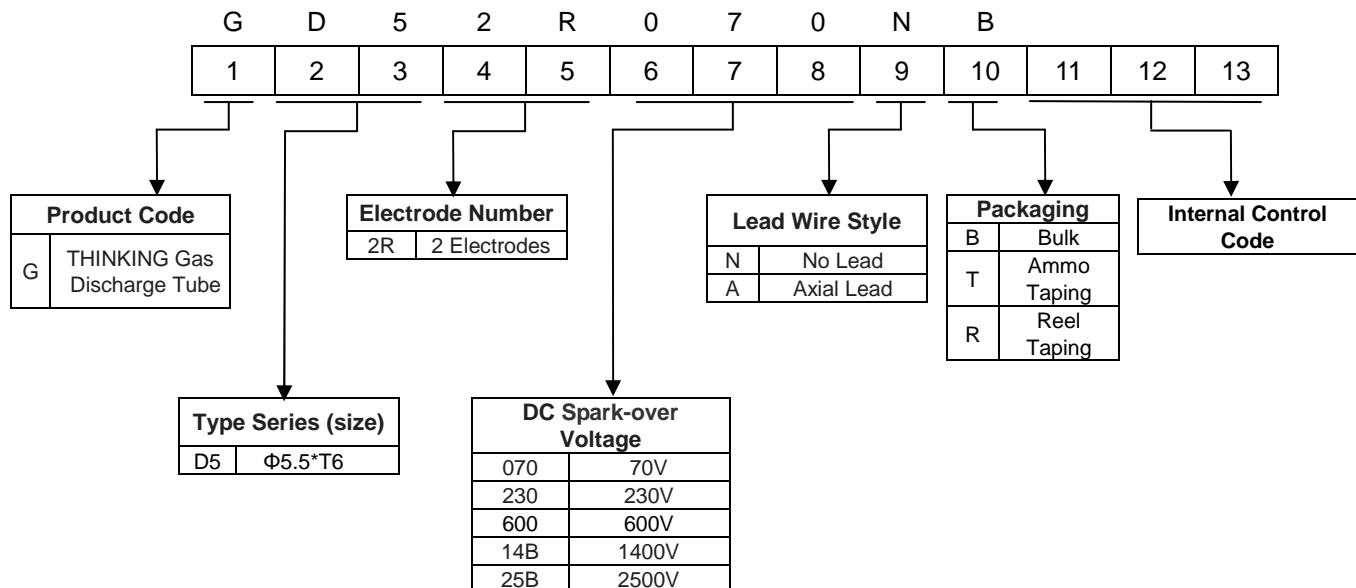
1. RoHS compliant
2. Rugged ceramic-metal construction
3. Available with or without leads
4. DC spark-over voltage: 70~3600V
5. Low capacitance
6. Agency recognition: UL/cUL



■ Recommended Applications

1. Data transmission lines
2. Communication lines
3. CATV system
4. Power distribution system
5. Power supplier
6. Test equipment
7. Instrumentation circuits

■ Part Number Code



Gas Discharge Tube: GD5 Series



2-Electrode $\Phi 5.5 \times T6$ mm Type

■ Characteristics

Type	DC Breakdown Voltage	Max. Impulse Breakdown Voltage		Impulse Discharge Current ($8/20\mu s$)		Impulse Life (10/1000 μs)	Normal Alternating Discharge Current		DC Holdover Voltage	Minimum Insulation Resistance	Maximum Capacitance (1MHz)	Safety approvals	
	100V/s	100V/ μs	1KV/ μs	1 time	10 times	100A	50Hz, 1Sec	Single 9 Cycles	<150ms			UL 1449/cUL	UL 497B
	(V)	(V)	(V)	(KA)		Times	(A)		(V)			(G Ω)	(pF)
GD52R070□□	70 \pm 20%	700	800	10	5	300	5	15	52	1	1		√
GD52R075□□	75 \pm 20%	700	800						52			√	
GD52R090□□	90 \pm 20%	600	700						52			√	
GD52R120□□	120 \pm 15%	600	700						52			√	
GD52R130□□	130 \pm 15%	600	700						52			√	
GD52R145□□	145 \pm 15%	600	700						52			√	
GD52R150□□	150 \pm 15%	600	700						52			√	
GD52R180□□	180 \pm 15%	600	700						80			√	
GD52R230□□	230 \pm 15%	600	700						80			√	
GD52R250□□	250 \pm 15%	600	700						80			√	
GD52R300□□	300 \pm 15%	700	900						150			√	
GD52R350□□	350 \pm 15%	700	900						150			√	
GD52R400□□	400 \pm 15%	800	1000						150			√	
GD52R470□□	470 \pm 15%	800	1100						150			√	
GD52R600□□	600 \pm 20%	1300	1500	150	√								
GD52R800□□	800 \pm 20%	1500	1700	5	2.5	300	2.5	5	150			√	
GD52R10B□□	1000 \pm 20%	1600	1800	3	1.5	300	2	4	150			√	
GD52R12B□□	1200 \pm 20%	1800	2000						150	√			
GD52R14B□□	1400 \pm 20%	2200	2400						150	√			
GD52R16B□□	1600 \pm 20%	2400	2600						150	√			
GD52R20B□□	2000 \pm 20%	2800	3000						150	√			
GD52R25B□□	2500 \pm 20%	3300	3500						150	√			
GD52R30B□□	3000 \pm 20%	3800	4000						150	√			
GD52R35B□□	3500 \pm 20%	4300	4500						150	√			
GD52R36B□□	3600 \pm 20%	4400	4600						150	√			

Note1: The first □ is the style of lead wire, and the second □ is packaging.

Note2: UL / 497B→ File No. E245070, UL / 1449 3rd→ File No.E314979

Note 3: Insulation resistance test conditions:

DC Breakdown Voltage	DC Measuring Voltage
70-90V	50V
120-400V	100V
470-800V	250V
1000-2000V	500V
2500-4000V	1000V

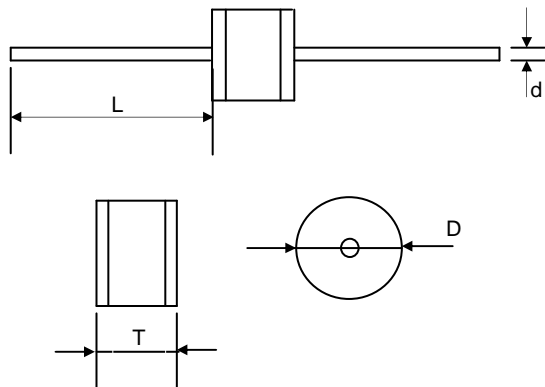
Gas Discharge Tube: GD5 Series



2-Electrode $\Phi 5.5 * T6$ mm Type

■ Dimensions

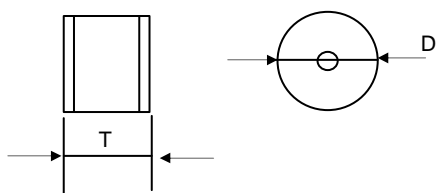
□ = A (Axial lead type)



Unit: mm

Item	Dimensions	
	Spec.	Tolerance
D	5.5	+0.3/-0.5
T	6.0	+0.3/-0.5
L	20	Min.
d	0.8	± 0.05

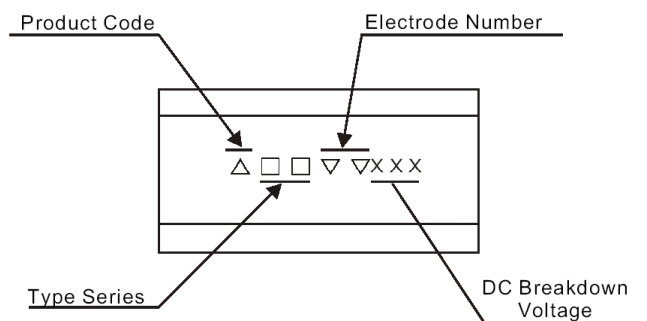
□ = N (No lead type)



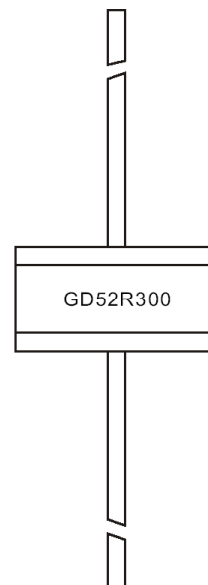
Unit: mm

Item	Dimensions	
	Spec.	Tolerance
D	5.5	+0.3/-0.5
T	6.0	+0.3/-0.5

■ Marking



Example



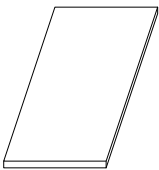
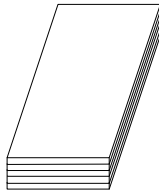
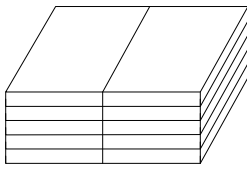
Gas Discharge Tube: GD5 Series



2-Electrode $\Phi 5.5 \times T6$ mm Type

■ Packaging

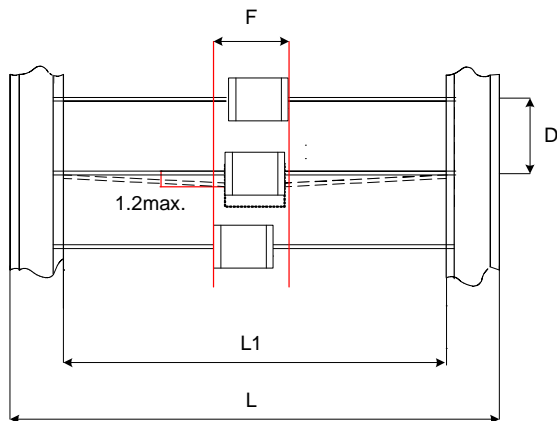
- Bulk

Plastic Tray (263×144×6mm)	Inner Box (270×145×50mm)	Outside Box (320×305×280mm)
		
100 PCS/Plastic tray	500 PCS/ Box	5000 PCS/Carton

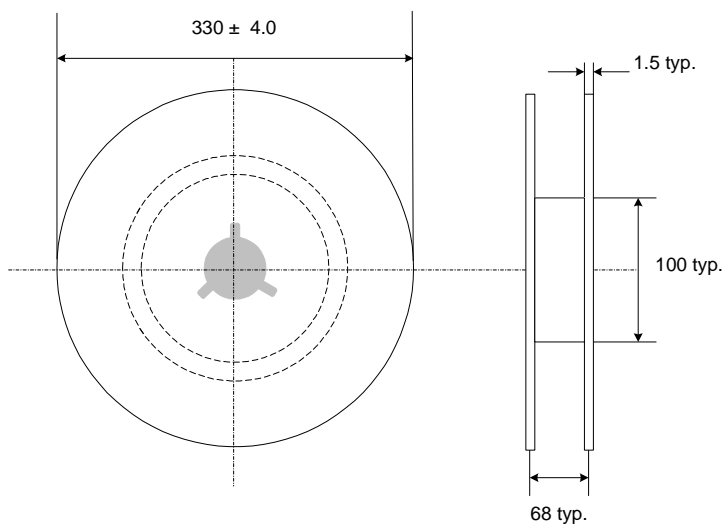
● Taping

For 2-electrode Axial Lead GDT

Unit: mm



Item	Dimension	
	Spec.	Tolerance
L1	52	± 2
L	64	± 3
D	10	± 0.5
F	T of Gas Tube + 1.4	Max.



Gas Discharge Tube: GD5 Series

2-Electrode $\Phi 5.5 \times T6$ mm Type



■ Storage Conditions of GDT

(I) Storage conditions:

1. Storage Temperature: $-10^{\circ}\text{C} \sim +40^{\circ}\text{C}$.
2. Relative humidity: $\leq 75\% \text{RH}$.
3. Gas discharge tube must be kept away from sunlight and stored in a non-corrosive atmosphere.

(II) Shelf life: 1 year